

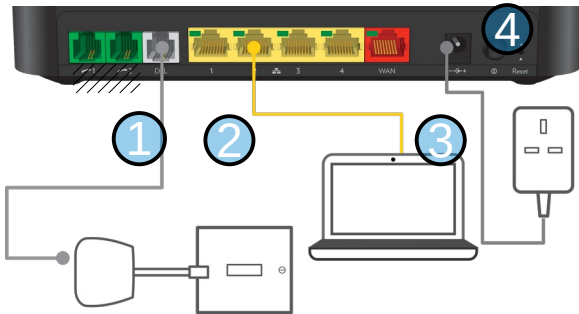
## TL;DR: If you read only one thing...

1) The router will get its configuration when it first logs in

# Router Quick Start Guide

Technicolor DGA4134

## Plugging in:



1

Connect DSL port to the phone socket via a splitter (optional) using the supplied 'grey' cable.

2

Connect your computers or your network to ports 1-4.

3

Plug in the supplied power cable

4

Switch router on. Status light will be orange, Broadband light should blink then go steady

5

The router will be sent its configuration once it has logged in for the first time, wait a few minutes...

6

See your Infopack or router card for further details, such as WiFi password etc.

## Initial configuration Information:

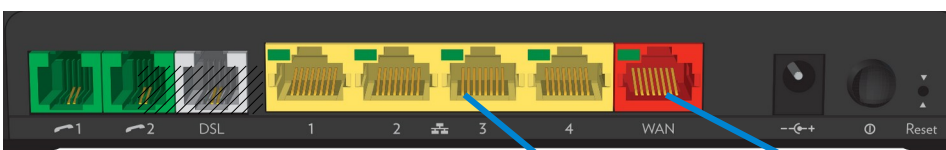
The Technicolor will be posted to you in a 'default' state. It will have a random WiFi name as set on the base of the router. In most cases, once your service is live and the Technicolor has logged in for the first time, it will be configured in the correct way for your service – the plastic card on the router will also describe your specific configuration and how it needs to be connected.

The configuration of the router can be modified via the Control Pages but feel free to talk to staff for further help or information. Until your service is live, and the router has configured itself, the credentials and IP details on the card will not match. It will have an IP address of 192.168.1.1 and an admin/engineer user with a password as on the back of the device.

The details above describe the most common configuration for this router – where you are simply connecting the Technicolor router to your phone line and using its built in wifi and network ports for your Internet access.

## If you have your own Modem or Openreach ONT

Using the Technicolor as a PPPoE router



If you have FTTP or an existing modem then don't use the DSL port, instead use the red WAN port to connect the Technicolor to your modem.

1

Connect your computers to the LAN ports

2

Connect the red WAN port to your modem or ONT.

Further information on our Support Site: <https://support.aa.net.uk/DGA4134>

## WiFi:

- (i) Until the automatic configuration has completed the WiFi name (SSID) is the randomly generated one as per the sticker on the base. However, once the automatic configuration has completed, the WiFi name and password will be as printed on the plastic card that is included with the router. This may be changed via the Control Pages if required.

## LED Status:

View of the side

Status Light (i)	Broadband Light (b)	Internet Light (@)	Wireless Light (Wi-Fi)
<p><b>Blinking Red:</b> Initialising/booting up</p> <p><b>Steady Red:</b> Internet not connected</p> <p><b>Steady Green:</b> Booted up and ready</p> <p><b>Off:</b> Not connected, problem, or router in PPPoE mode</p>	<p><b>Blinking Green:</b> Attempting to sync</p> <p><b>Steady Green:</b> Router in sync with exchange/cabinet</p> <p><b>Flashing Green:</b> Activity</p> <p><b>Off:</b> No device plugged in, or that device is off</p>	<p><b>Blinking Red:</b> Attempting to connect</p> <p><b>Steady Green:</b> Connected</p> <p><b>Flashing Green:</b> Activity/traffic</p> <p><b>Off:</b> No internet connection</p>	<p><b>Steady Green:</b> WiFi ready</p> <p><b>Flashing Green:</b> Activity</p> <p><b>Off:</b> WiFi not enabled. (try pressing the Wireless on/off button on the right)</p>

## Help! It's not working

- Configuration**  
Don't forget that the router will receive its configuration once it has come online for the first time. This will cause the router to restart. The router should have received its configuration and have restarted within about six minutes of being online.

- No Sync?**  
When using the DSL socket, the DSL light should be green. If this light is blinking or off then the router is not in sync with the exchange or cabinet equipment. Here are some checks:
- If your telephone socket has two sockets and one is more square than rectangle, plug the router in to the square socket (no need for the splitter in this case, as your socket has a built in splitter)
  - If you have multiple phone sockets for the phone line in the building, try using your master socket – the one nearest to where the phone line enters the building
  - Test that the phone line is working by plugging in a telephone

- Factory Reset**  
If required, holding in the reset button for about five seconds, until all the LEDs light up, This will revert the configuration to our default settings. In this state the router will try to get online and obtain its own configuration for your line. The configuration settings can be set on our Control Pages. For example, from the Control Pages, can you set the router to be a bridge. There are other settings there too, eg WiFi, passwords and so on.

- Control Pages**  
Our Control Page system can be accessed from: <https://control.aa.net.uk>

This products makes use of GPL software: <https://www.technicolor.com/distribute/home-experience/regulatory-information>